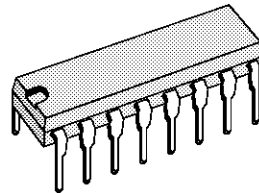


**HORIZONTAL AND VERTICAL DEFLECTION MONITOR**

- DIRECT LINE DARLINGTON DRIVE
- DIRECT FRAME-YOKE DRIVE ( $\pm 1A$ )
- COMPOSITE VIDEO SIGNAL INPUT CAPABILITY
- FRAME OUTPUT PROTECTION AGAINST SHORT CIRCUITS
- PLL
- HORIZONTAL OSCILLATOR FREQUENCY RANGE FROM 15kHz TO 100kHz
- VERTICAL OSCILLATOR FREQUENCY RANGE FROM 30Hz TO 120Hz
- VERY FEW EXTERNAL COMPONENT
- VERY LOW COST POWER PACKAGE



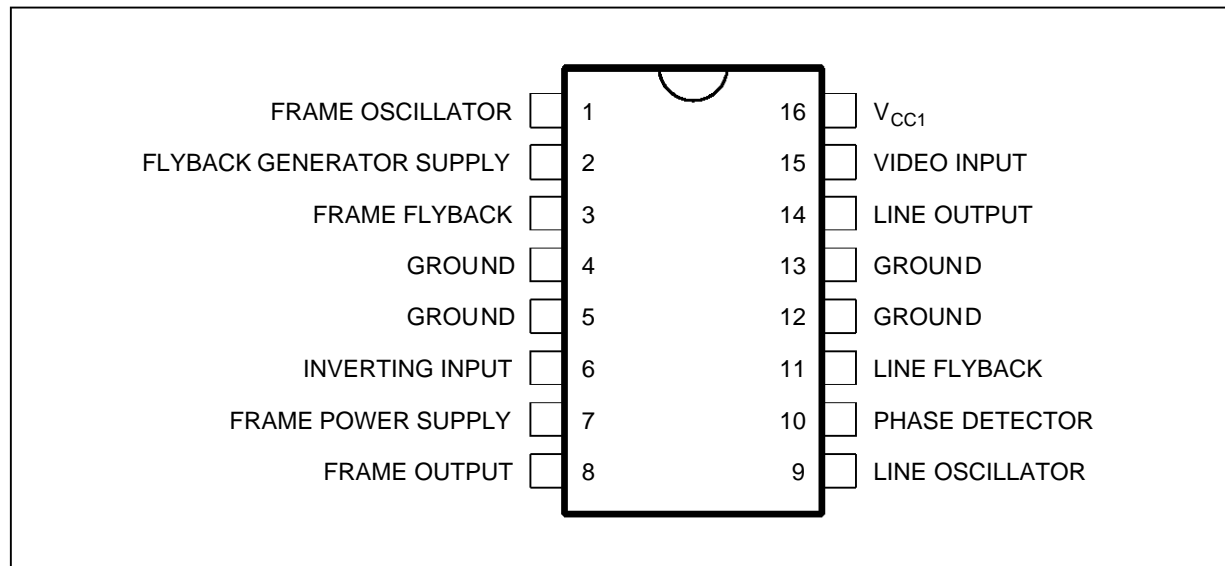
**POWERDIP (8+8)**  
(Plastic Package)

**ORDER CODE : TEA2037A**

**DESCRIPTION**

The TEA2037A is an horizontal and vertical deflection circuit. It uses the same concept as TEA2117 but optimised for small screens, for a very low cost solution.

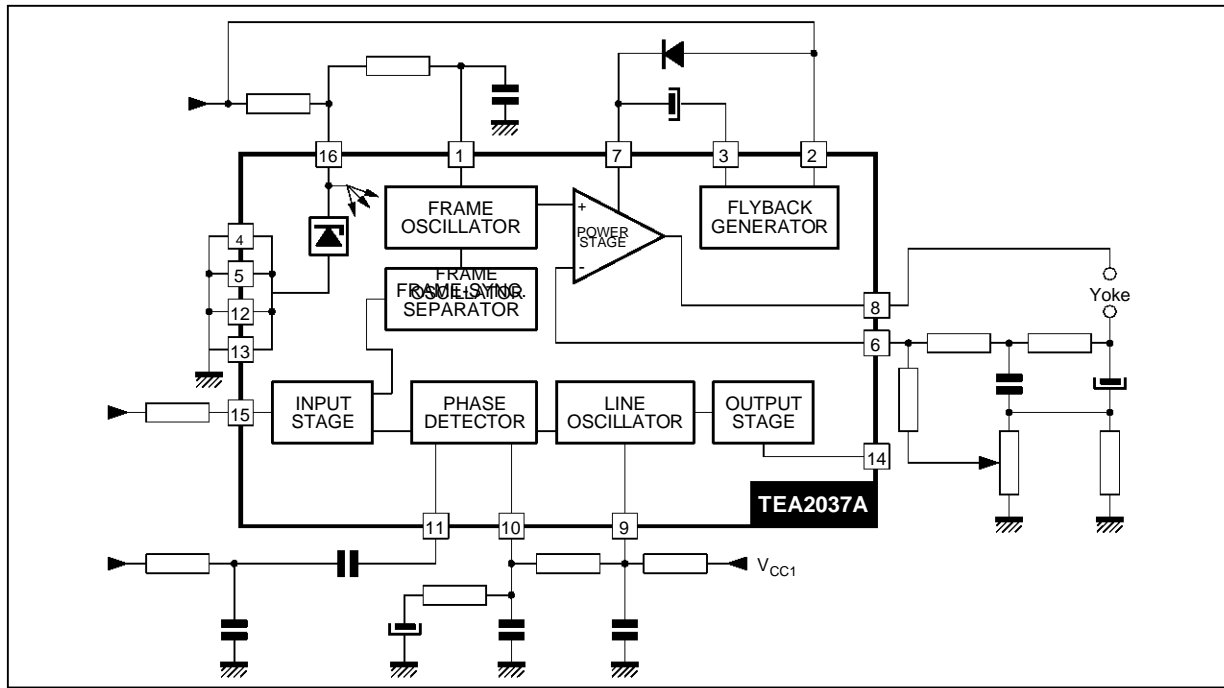
**PIN CONNECTIONS**



2037A-01.EPS

# TEA2037A

## BLOCK DIAGRAM



2037A-02.EPS

## ABSOLUTE MAXIMUM RATINGS

Symbol	Parameter	Value	Unit
$V_{CC1}$	Supply Voltage	30	V
$V_2$	Flyback Generator Supply Voltage	35	V
$V_7$	Frame Power Supply Voltage	60	V
$I_{nr}$	Frame Output Current (non repetitive)	$\pm 1.5$	A
$I_8$	Frame Output Current (continuous)	$\pm 1$	A
$V_{14}$	Line Output Voltage (external)	60	V
$I_{p14}$	Line Output Peak Current	0.8	A
$I_{C14}$	Line Output Continuous Current	0.4	A
$T_{stg}$	Storage Temperature	-40, +150	$^{\circ}\text{C}$
$T_j$	Max. Operating Junction Temperature	+150	$^{\circ}\text{C}$

2037A-01.TBL

## THERMAL DATA

Symbol	Parameter	Value	Unit
$R_{th(j-c)}$	Junction-case Thermal Resistance	Max. 15	$^{\circ}\text{C/W}$
$R_{th(j-a)}$	Junction-ambient Thermal Resistance (soldered on a $35\mu\text{m}$ thick $45\text{cm}^2$ PC board copper area)	Typ. 45	$^{\circ}\text{C/W}$
$T_j$	Recommended Junction Temperature	Max. 120	$^{\circ}\text{C}$

2037A-02.TBL

## ELECTRICAL CHARACTERISTICS ( $T_{amb} = 25^{\circ}\text{C}$ )

Symbol	Parameter	Min.	Typ.	Max.	Unit
SUPPLY (shunt regulator) (Pin 16)					
$I_{CC1}$	Supply Current	10		20	mA
$V_{CC1}$	Supply Voltage ( $I_{CC1} = 15\text{mA}$ )	9	9.8	10.5	V
$\Delta V_{CC1}$	Voltage Variation ( $I_{CC1} : 10\text{mA to } 20\text{mA}$ )	-280	50	+280	mV
LPS	Starting Threshold for Line Output Pulses			5	V

2037A-03.TBL

**ELECTRICAL CHARACTERISTICS** ( $T_{amb} = 25^{\circ}\text{C}$ ) (continued)

Symbol	Parameter	Min.	Typ.	Max.	Unit
<b>VIDEO INPUT (Pin 15)</b>					
V <sub>15</sub>	Reference Voltage ( $I_{15} = -1\mu\text{A}$ )	1.4	1.75	2	V
MWF	Minimum Width of Frame Pulse (when synchronized with TTL Signal)	50			$\mu\text{s}$
V <sub>IN</sub>	Sync Bottom to Black Level ( $R_{\text{SYNC } 15} = 560\text{k}\Omega$ )	0.2	0.3		V <sub>PP</sub>
<b>LINE OSCILLATOR (Pin 9)</b>					
LT9	Low Threshold Voltage	2.8	3.2	3.6	V
HT9	High Threshold Voltage	5.4	6.6	7.8	V
BI9	Bias Current		100		nA
DR9	Discharge Impedance	1.0	1.4	1.8	k $\Omega$
FLP1	Free Running Line Period ( $R = 34.9\text{k}\Omega$ Tied to V <sub>CC1</sub> , $C = 2.2\text{nF}$ Tied to Ground)	62	64	66	$\mu\text{s}$
FLP2	Free Running Line Period ( $R = 13.7\text{k}\Omega$ , $C = 2.2\text{nF}$ )		27		$\mu\text{s}$
OT9	Oscillator Threshold for Line Output Pulse Triggering		4.6		V
$\frac{\Delta F}{\Delta\theta}$	Horizontal Frequency Drift with Temperature (see application Fig. 8)		2		Hz/ $^{\circ}\text{C}$
<b>LINE OUTPUT (Pin 14)</b>					
LV14	Saturation Voltage ( $I_{14} = 200\text{mA}$ )		1.1	1.6	V
OPW	Output Pulse Width (line period = 64 $\mu\text{s}$ )	20	22	24	$\mu\text{s}$
<b>LINE FLYBACK INPUT (Pin 11)</b>					
V <sub>11</sub>	Bias Voltage	1.8	2.4	3.2	V
Z11	Input Impedance	4.5	5.8	8	k $\Omega$
<b>PHASE DETECTOR</b>					
I <sub>10</sub>	Output Current during Synchro Pulse	250	450	800	$\mu\text{A}$
RI10	Current Ratio (positive/negative)	0.95	1	1.05	
LI10	Leakage Current	-2		+2	$\mu\text{A}$
CV10	Control Range Voltage	2.60		7.10	V
<b>FRAME OSCILLATOR (Pin 1)</b>					
LT1	Low Threshold Voltage	1.6	2.0	2.3	V
HT1	High Threshold Voltage	2.6	3.1	3.6	V
BI1	Bias Current		30		nA
DR1	Discharge Impedance	300	470	700	k $\Omega$
FFP1	Free Running Line Period ( $R = 845\text{k}\Omega$ Tied to V <sub>CC1</sub> , $C = 180\text{nF}$ Tied to Ground)	20.5	23	25	ms
MFP	Minimum Frame Period ( $I_{15} = -100\mu\text{A}$ ) (with the same RC)		12.8		ms
FFP2	Free Running Line Period ( $R = 408\text{k}\Omega$ , $C = 220\text{nF}$ )		14.3		ms
FPR	Frame Period Ratio =	1.7	1.8	1.9	
FG	Frame Saw-tooth Gain between Pin 1 and non-inverting Input of the Frame Amplifier		-0.4		
$\frac{\Delta F}{\Delta\theta}$	Vertical Frequency Drift with Temperature (see application Fig. 8)		$4 \cdot 10^{-3}$		Hz/ $^{\circ}\text{C}$
<b>FRAME POWER SUPPLY (Pin 7)</b>					
V <sub>7</sub>	Operating Voltage (with flyback generator)	10		58	V
I <sub>7</sub>	Supply Current ( $V_7 = 30\text{V}$ )			22	mA
<b>FLYBACK GENERATOR SUPPLY (Pin 2)</b>					
V <sub>2</sub>	Operating Voltage	10		30	V

**ELECTRICAL CHARACTERISTICS** ( $T_{amb} = 25^{\circ}C$ ) (continued)

Symbol	Parameter	Min.	Typ.	Max.	Unit
FRAME OUTPUT (PIn 8)					
LV8A LV8B	Saturation Voltage to Ground ( $V_7 = 30V$ ) $I_8 = 0.1$ $I_8 = 1A$		0.06 0.37	0.6 1	V V
HV8A HV8B	Saturation Voltage to $V_7$ ( $V_7 = 30V$ ) $I_8 = -0.1$ $I_8 = -1A$		1.3 1.7	1.6 2.4	V V
FV8A FV8B	Saturation Voltage to $V_7$ in Flyback Mode ( $V_8 > V_7$ ) $I_8 = 0.1$ $I_8 = 1A$		1.6 2.5	2.1 4.5	V V

FLYBACK GENERATOR (Pins 2 and 3)

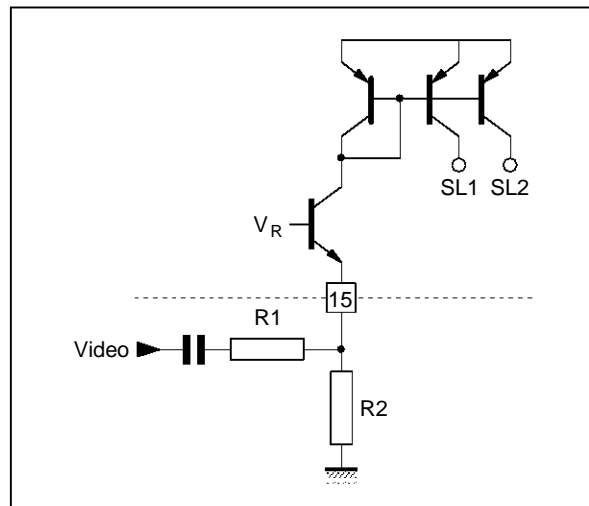
F2DA F2DB FSVA FSVB	Flyback Transistor on (output = high state) ( $V_2 = 30V$ ) $V_{3/2}$ with $I_{3 \rightarrow 2} = 0.1A$ $I_{3 \rightarrow 2} = 1A$ $V_{2/3}$ with $I_{3 \rightarrow 2} = 0.1$ $I_{3 \rightarrow 2} = 1A$		1.5 3.0 0.8 2.2	2.1 4.5 1.1 4.5	V V V V
	Flyback Transistor off (output = $V_7 - 8V$ ) ( $V_7 = V_2 = 30V$ )				
FCI	Leakage Current Pin 2			170	$\mu A$

The TEA2037A performs all the video and power functions required to provide signals for the direct drive of the line darlington and frame yoke.

It contains:

- A shunt regulator
- A synchronization separator
- An integrated frame separator without external components
- A saw-tooth generator for the frame
- A power amplifier for direct drive of frame yoke (short circuit protected)
- An open collector output for the line darlington drive
- A line phase detector and a voltage control oscillator

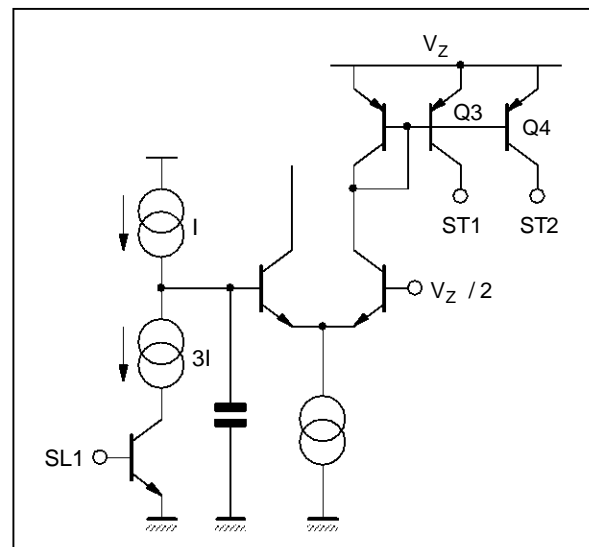
**Figure 1 : Synchronization Separator Circuit**



The slice level of sync-separation is fixed by value of the external resistors  $R_1$  and  $R_2$ .  $V_R$  is an internally fixed voltage.

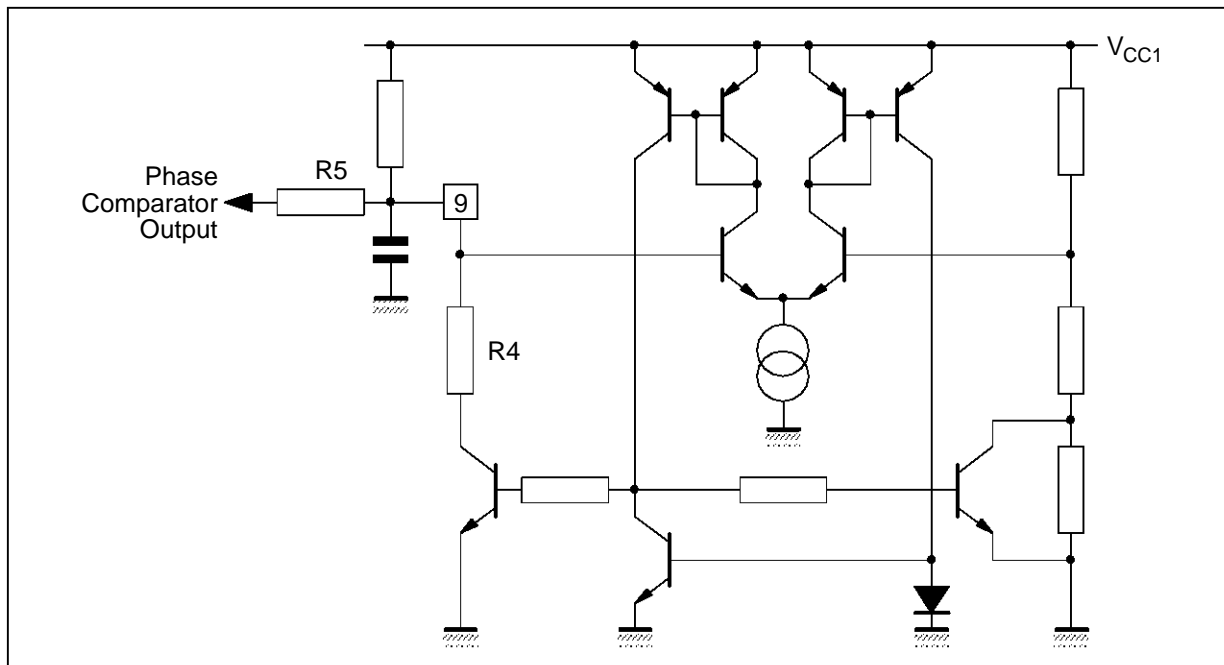
The sync-pulse allows the discharge of the capacitor by a  $2 \times 1$  current. A line sync-pulse is not able to discharge the capacitor under  $V_z/2$ . A frame sync pulse permits the complete discharge of the capacitor, so during the frame sync-pulse Q3 and Q4 provide current for the other parts of the circuit.

**Figure 2 : Frame Separator**



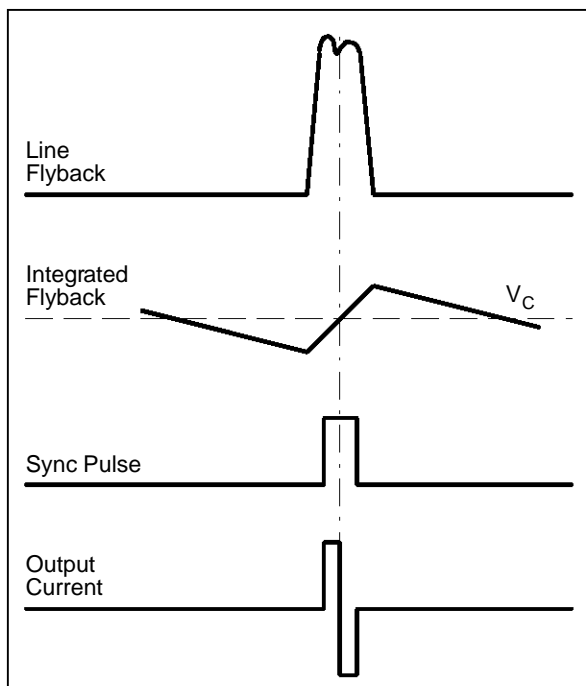
The oscillator thresholds are internally fixed by resistors. The discharge of the capacitor depends on the internal resistor  $R_4$ . The control voltage is applied on resistor  $R_5$ .

Figure 3 : Line Oscillator



2037A-05.EPS

Figure 4 : Phase Comparator

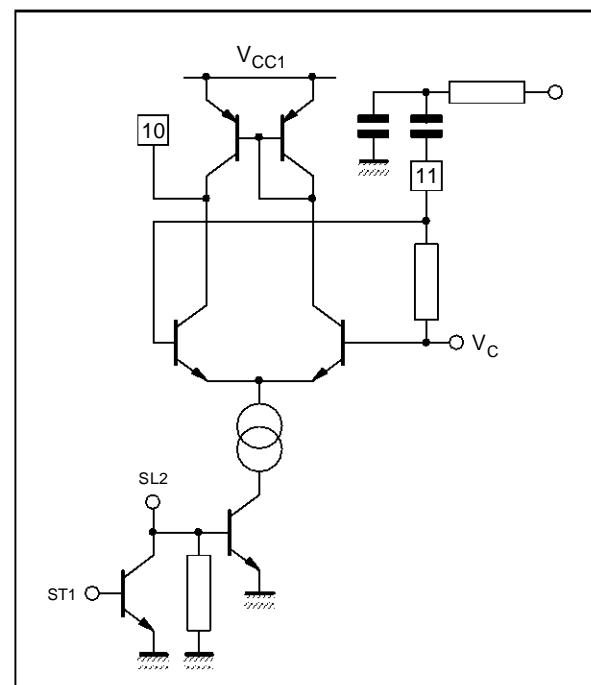


2037A-06.EPS

The sync-pulse drives the current in the comparator. The line flyback integrated by the external network gives on pin 11 a saw tooth, the DC offset of this saw tooth is fixed by VC. The comparator output provides a positive current for the part of the signal on pin 11 greater than to VC and a negative

current for the other part. When the line flyback and the video signal are synchronized, the output of the comparator is an alternatively negative and positive current. The frame sync-pulse inhibits the comparator to prevent frequency drift of the line oscillator on the frame beginning.

Figure 5



2037A-07.EPS

**Line Output (pin 14)**

It is an open collector output which is able to drive pulse current of 800mA for a rapid discharging of the darlington base. The output pulse time is 22µs for a 64µs period.

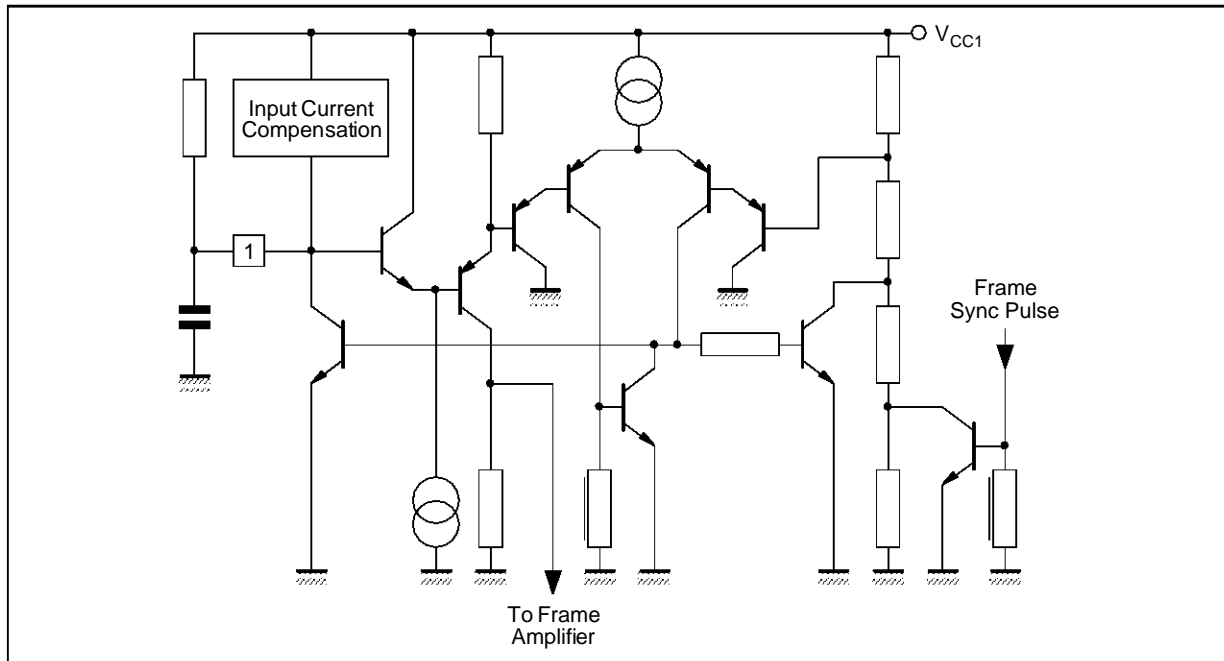
The oscillator thresholds are internally fixed by resistors. The oscillator is synchronized during the

last half free run period. The input current during the charge of the capacitor is less than 100nA.

**Frame Output Amplifier**

This amplifier is able to drive directly the frame yoke. Its output is short circuit and overload protected ; it contains also a thermal protection.

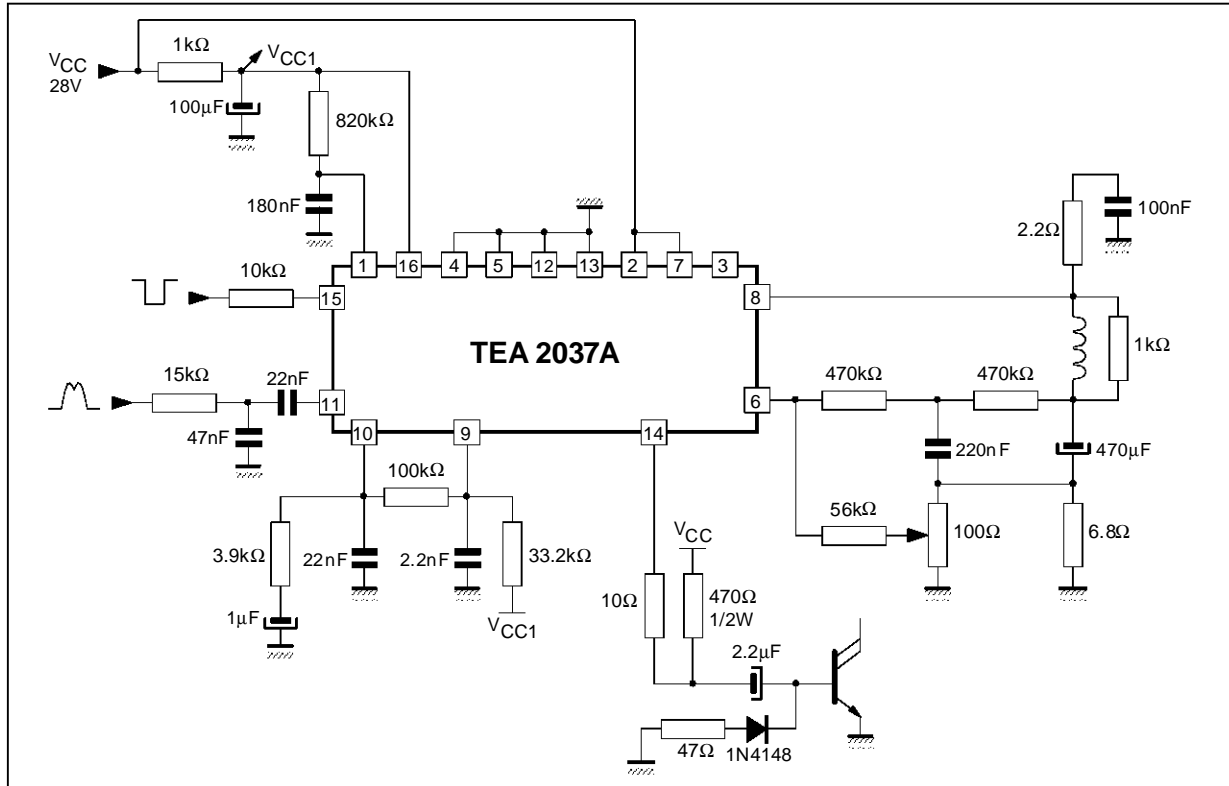
**Figure 6 : Frame Oscillator**



2037A-08.EPS

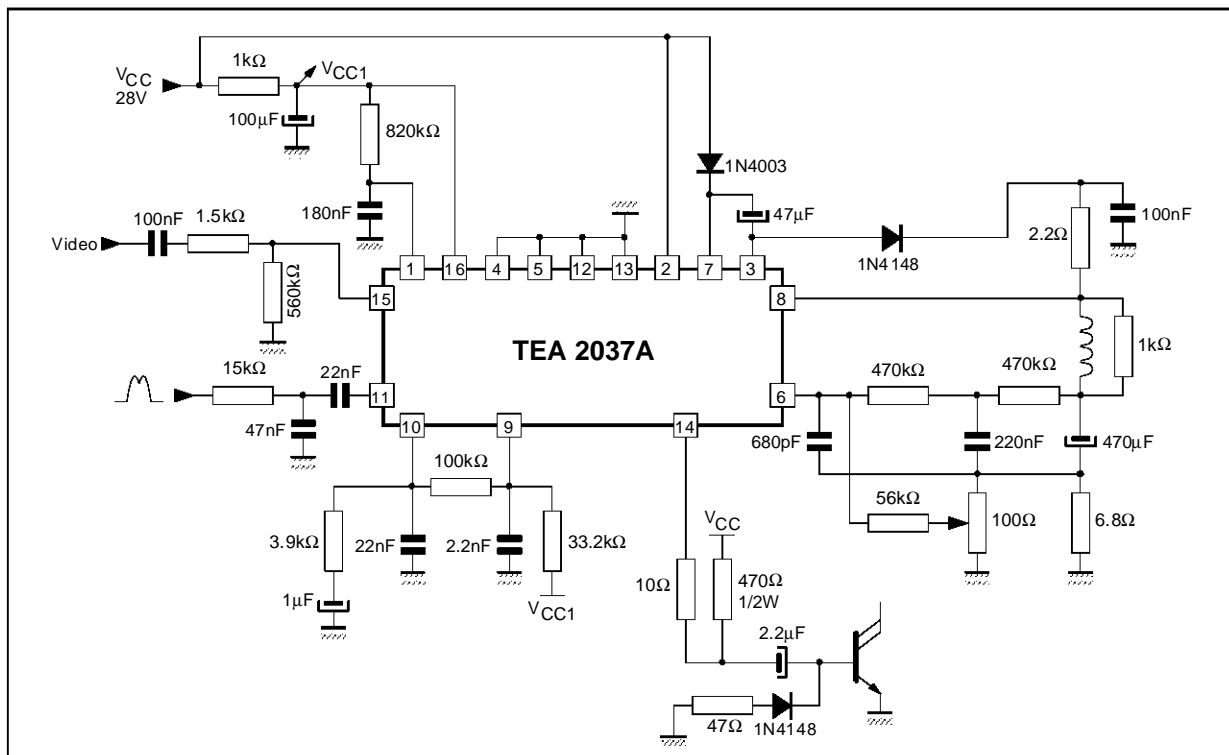
## TYPICAL APPLICATION FOR DISPLAY UNITS

Figure 7 : Application without flyback generator and with sync-pulse drive ; yoke : 72mH, 40W



2037A-09.EPS

Figure 8 : Application with flyback generator and video ; yoke : 72mH, 40W



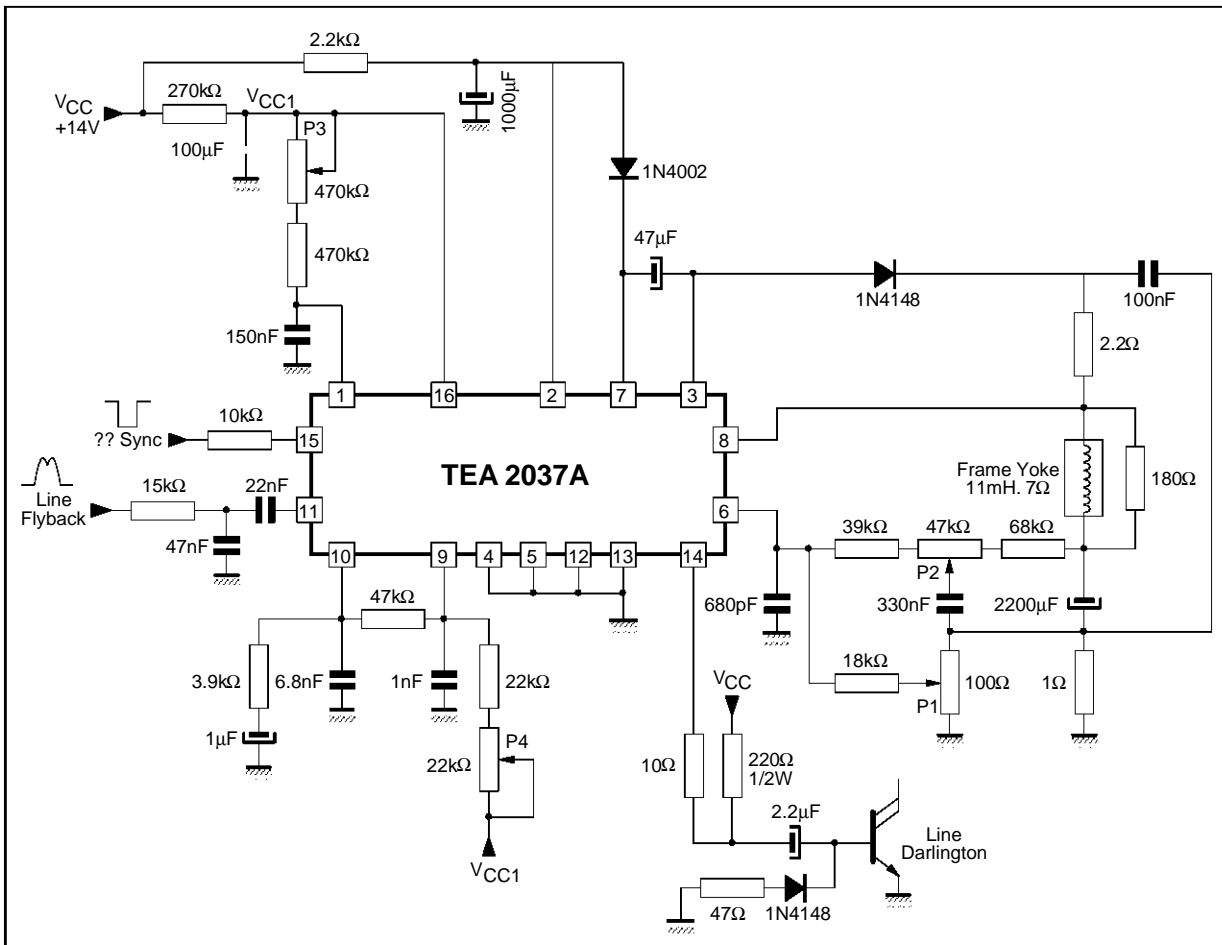
2037A-10.EPS

# TEA2037A

## TYPICAL APPLICATION FOR HIGH FREQUENCY MONITOR

### CHARACTERISTICS

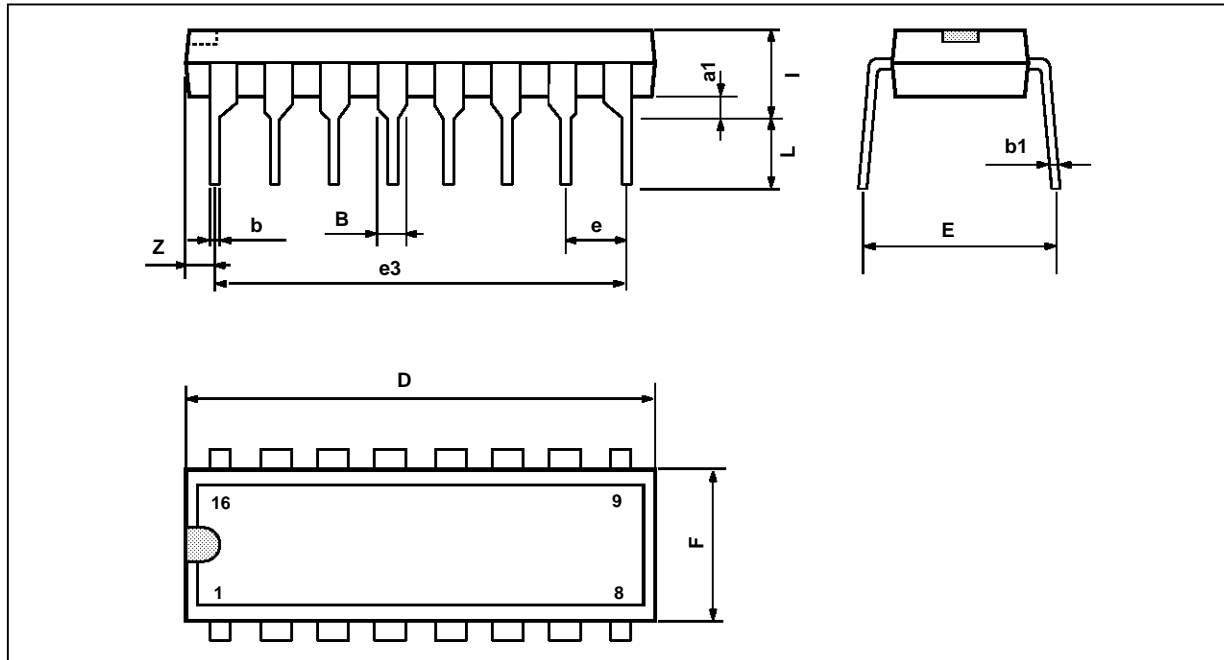
<ul style="list-style-type: none"> <li>• Screen : 14" Colour</li> <li>• Frame deflection yoke : 11mH, 7Ω, 750mA peak-to-peak</li> <li>• V<sub>CC</sub> = + 14V with flyback generator</li> <li>• Frame flyback time : 0.6ms</li> <li>• Vertical frequency : 72Hz</li> <li>• Vertical free-running period : 16ms (adjustable)</li> <li>• Horizontal frequency : 35kHz (adjustable)</li> <li>• Line flyback time : 5.5μs</li> </ul>	<ul style="list-style-type: none"> <li>• Capture range : ± 5μs (@ sync pulse = 4.7μs)</li> <li>• Input signal : negative TTL sync (line + frame)</li> <li>• Dissipated power : 1.4W (heatsink required)</li> <li>• Adjustments :             <ul style="list-style-type: none"> <li>• Vertical amplitude</li> <li>• Vertical Linearity</li> <li>• Vertical frequency</li> <li>• Horizontal frequency</li> </ul> </li> </ul>
---	---



2037A-11.EPS



**PACKAGE MECHANICAL DATA**  
16 PINS - PLASTIC POWERDIP



PMDIP16W.EPS

Dimensions	Millimeters			Inches		
	Min.	Typ.	Max.	Min.	Typ.	Max.
a1	0.51			0.020		
B	0.85		1.4	0.033		0.055
b		0.5			0.020	
b1	0.38		0.5	0.015		0.020
D			20			0.787
E		8.8			0.346	
e		2.54			0.100	
e3		17.78			0.700	
F			7.1			0.280
i			5.1			0.201
L		3.3			0.130	
Z			1.27			0.050

DIP16PW.TBL

Information furnished is believed to be accurate and reliable. However, SGS-THOMSON Microelectronics assumes no responsibility for the consequences of use of such information nor for any infringement of patents or other rights of third parties which may result from its use. No licence is granted by implication or otherwise under any patent or patent rights of SGS-THOMSON Microelectronics. Specifications mentioned in this publication are subject to change without notice. This publication supersedes and replaces all information previously supplied. SGS-THOMSON Microelectronics products are not authorized for use as critical components in life support devices or systems without express written approval of SGS-THOMSON Microelectronics.

© 1994 SGS-THOMSON Microelectronics - All Rights Reserved

Purchase of I<sup>2</sup>C Components of SGS-THOMSON Microelectronics, conveys a license under the Philips I<sup>2</sup>C Patent. Rights to use these components in a I<sup>2</sup>C system, is granted provided that the system conforms to the I<sup>2</sup>C Standard Specifications as defined by Philips.

SGS-THOMSON Microelectronics GROUP OF COMPANIES

Australia - Brazil - China - France - Germany - Hong Kong - Italy - Japan - Korea - Malaysia - Malta - Morocco  
The Netherlands - Singapore - Spain - Sweden - Switzerland - Taiwan - Thailand - United Kingdom - U.S.A.